

Service manual

Version: 2.00

Ident: B15-EM-IS

Series: EM

Part-Number: 500370

This part can be ordered.



Chapter

- 500375 - Baking Chamber B15 - V:2.00
- 500374 - Door B15 EM - V:2.00
- 500377 - Electric slide B15-EM-IS - V:2.00
- 500378 - Frame B15 - V:2.00
- 500376 - Installation-Room B15 - V:2.00
- 500379 - Operating Panel B15 IS600 - V:2.00
- 500373 - Rack Trolley B15 - V:2.00

Service manual Baking Chamber B15

Version: 2.00

Ident: B15-EM-IS

Series: EM

Part-Number: 500375

This part can be ordered.

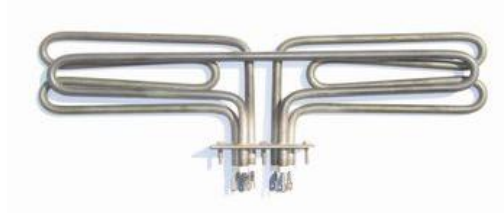


Chapter

- [010] - 34961 - Heater 4000 W
- [020] - 34960 - Heater 3000 W
- [030] - 33862 - Fan wheel
- [040] - 40198 - Door seal
- [050] - 02524 - Humidification Connection
- [060] - 104657 - Steaming Pipe
- [070] - 34047 - Seal motor shaft
- [080] - 36117 - Seal heater

Part: Heater 4000 W

Part-Number: 34961



Part: Heater 3000 W

Part-Number: 34960



Part: Fan wheel

Part-Number: 33862



Part: Door seal

Part-Number: 40198

Part: Humidification Connection

Part-Number: 02524



Part: Steaming Pipe

Part-Number: 104657

Part: Seal motor shaft

Part-Number: 34047



Part: Seal heater

Part-Number: 36117



Service manual Door B15 EM

Version: 2.00

Ident: B15-EM-IS

Series: EM

Part-Number: 500374

This part can be ordered.



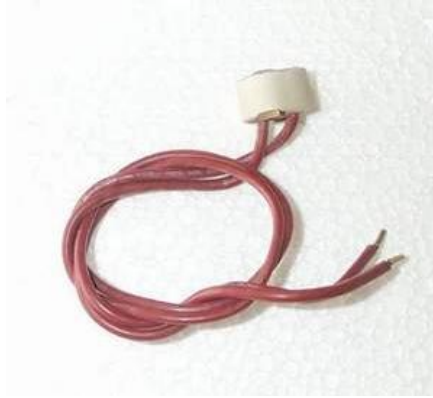
Chapter

500385 - Door Handle - V:2.00
33886 - Sealing Pane BG3 - V:2.00
33887 - Viewing glass BG3 - V:2.00

[040] - 33891 - Halogen sockets
[050] - 101731 - Halogen Lamp 12V 10W
[060] - 34312 - Porcelain clamp
[070] - 33880 - Glass plate holder
[080] - 34577 - Seal for glass plate holder

Part: Halogen sockets

Part-Number: 33891



Part: Halogen Lamp 12V 10W

Part-Number: 101731



Part: Porcelain clamp

Part-Number: 34312



Part: Glass plate holder

Part-Number: 33880

Part: Seal for glass plate holder

Part-Number: 34577

Service manual

Door Handle

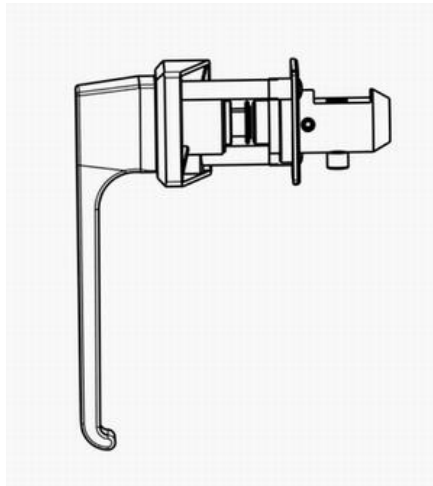
Version: 2.00

Ident: B15-EM-IS

Series: EM

Part-Number: 500385

This part can be ordered.



Chapter

500386 - Door Handle B15 left complete - V:2.00

500387 - Door Handle B15 right complete - V:2.00

Service manual

Door Handle B15 left complete

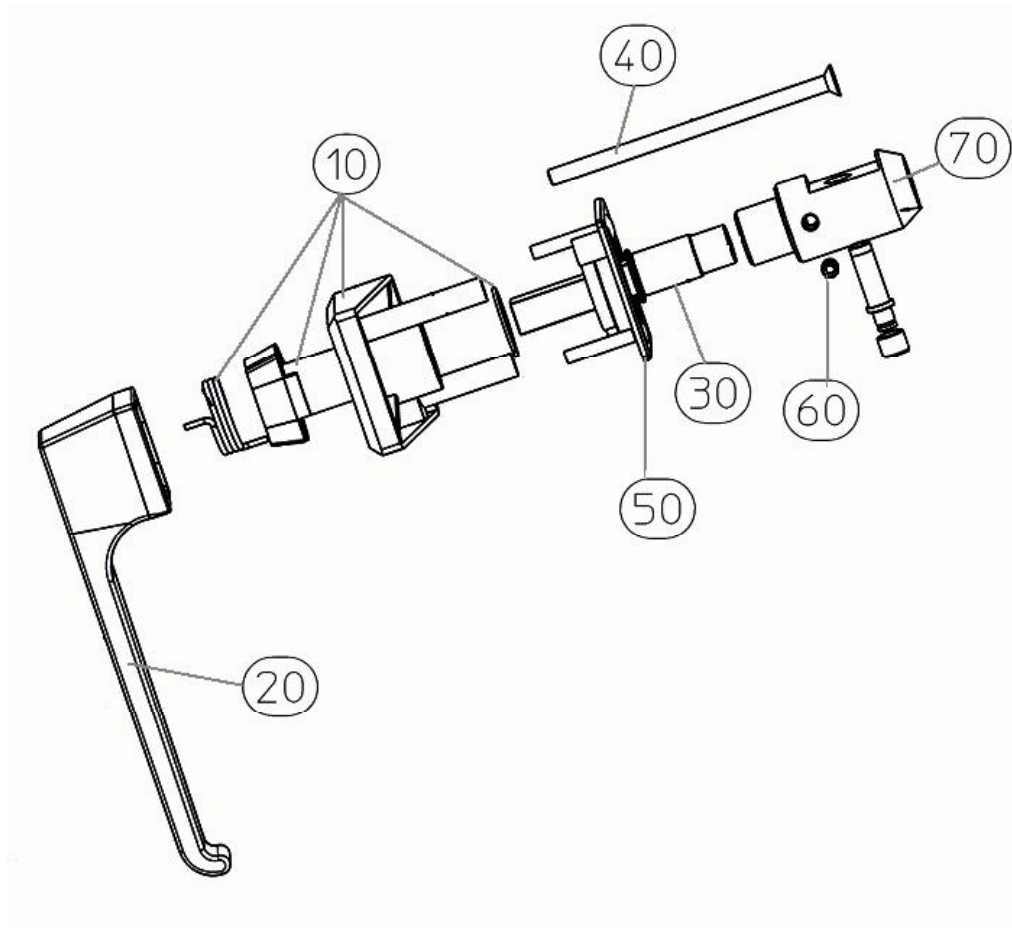
Version: 2.00

Ident: B15-EM-IS

Series: EM

Part-Number: 500386

This part can be ordered.



Chapter

500384 - Handle Element B15 left complete assembled - V:2.00

- [020] - 36714 - Door handle B15
- [030] - 103519 - Axle
- [040] - 42720 - Screw M6x110 DIN 7991
- [050] - 38152 - Counterpiece
- [060] - 42725 - Threaded pin M8x8 DIN 913
- [070] - 101068 - Sash fastener

Part: Door handle B15

Part-Number: 36714



Part: Axle

Part-Number: 103519



Part: Screw M6x110 DIN 7991

Part-Number: 42720

Part: Counterpiece

Part-Number: 38152



Part: Threaded pin M8x8 DIN 913

Part-Number: 42725



Part: Sash fastener

Part-Number: 101068

Service manual

Handle Element B15 left complete assembled

Version: 2.00

Ident: B15-EM-IS

Series: EM

Part-Number: 500384

This part can be ordered.



Chapter

[010] - 100795 - Handle Insert B15

[020] - 42371 - Door handle spring, left-hinged

[030] - 42377 - Support

[040] - 42692 - Retainer ring

Part: Handle Insert B15

Part-Number: 100795



Part: Door handle spring, left-hinged

Part-Number: 42371



Part: Support

Part-Number: 42377



Part: Retainer ring

Part-Number: 42692



Service manual

Door Handle B15 right complete

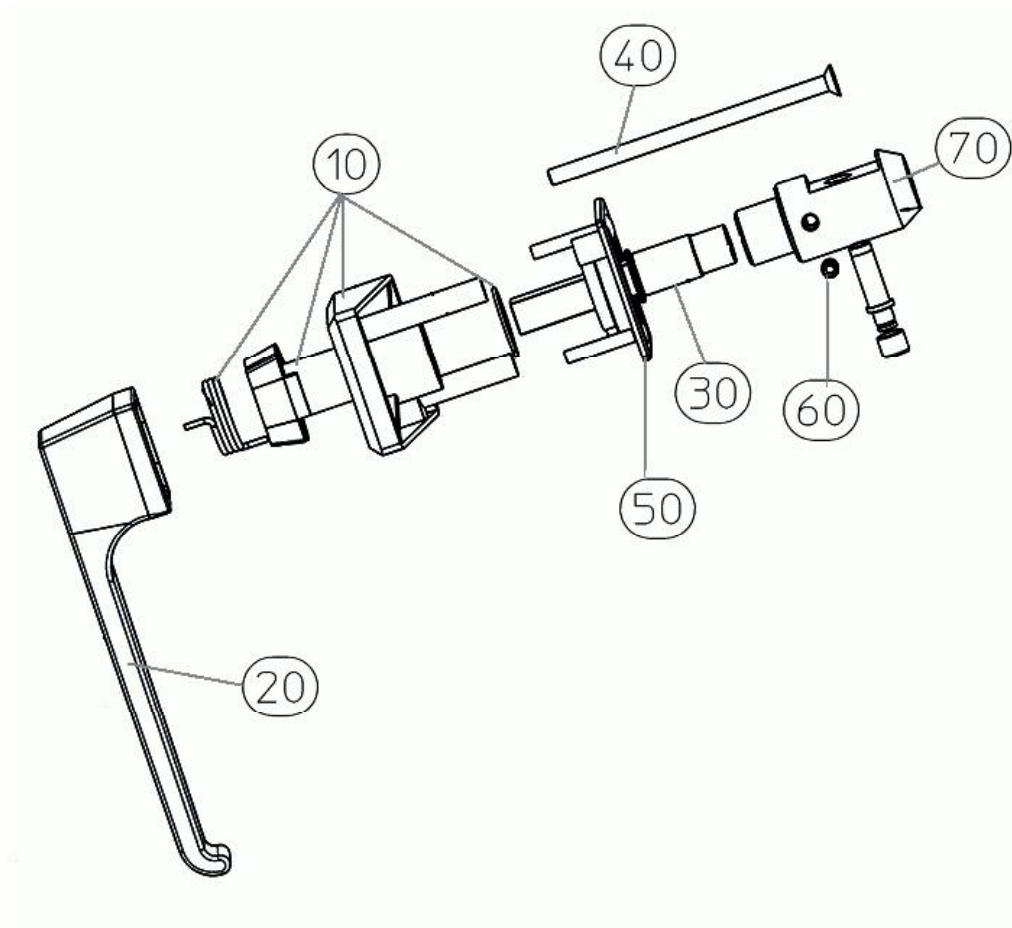
Version: 2.00

Ident: B15-EM-IS

Series: EM

Part-Number: 500387

This part can be ordered.



Chapter

500388 - Handle Element B15 right complete assembled - V:2.00

[020] - 36714 - Door handle B15

[030] - 103519 - Axle

[040] - 42720 - Screw M6x110 DIN 7991

[050] - 38152 - Counterpiece

[060] - 42725 - Threaded pin M8x8 DIN 913

[070] - 101068 - Sash fastener

Part: Door handle B15

Part-Number: 36714



Part: Axle

Part-Number: 103519



Part: Screw M6x110 DIN 7991

Part-Number: 42720

Part: Counterpiece

Part-Number: 38152



Part: Threaded pin M8x8 DIN 913

Part-Number: 42725



Part: Sash fastener

Part-Number: 101068

Service manual

Handle Element B15 right complete assembled

Version: 2.00

Ident: B15-EM-IS

Series: EM

Part-Number: 500388

This part can be ordered.



Chapter

[010] - 100795 - Handle Insert B15

[020] - 42373 - Door handle spring, right-hinged

[030] - 42377 - Support

[040] - 42692 - Retainer ring

Part: Handle Insert B15

Part-Number: 100795



Part: Door handle spring, right-hinged

Part-Number: 42373



Part: Support

Part-Number: 42377



Part: Retainer ring

Part-Number: 42692





Service manual Sealing Pane BG3

Version: 2.00

Ident:

Series: EM

Part-Number: 33886

Service manual Viewing glass BG3

Version: 2.00

Ident:

Series: EM

Part-Number: 33887

Service manual Electric slide B15-EM-IS

Version: 2.00

Ident: B15-EM-IS

Series: EM

Part-Number: 500377

This part can be ordered.



Chapter

- [010] - 36822 - Axial Blower
- [020] - 101106 - Power board
- [030] - 93123 - Triac Setter 32A 400V (E200A)
- [040] - 38726 - Ring Core Transformer
- [050] - 34752 - Micro-Fuse 1A
- [050] - 35135 - Micro-Fuse 2A
- [060] - 33126 - Relay main switch
- [070] - 38400 - Loudspeaker

Part: Axial Blower

Part-Number: 36822



Part: Power board

Part-Number: 101106



Part: Triac Setter 32A 400V (E200A)

Part-Number: 93123



Part: Ring Core Transformer

Part-Number: 38726



Part: Micro-Fuse 1A

Part-Number: 34752



Part: Micro-Fuse 2A

Part-Number: 35135



Part: Relay main switch

Part-Number: 33126



Part: Loudspeaker

Part-Number: 38400



Service manual Frame B15

Version: 2.00

Ident: B15-EM-IS

Series: EM

Part-Number: 500378

This part can be ordered.



Chapter

36822 - Axial Blower

37937 - Door latch plate in oven wall/frame

Part: Axial Blower

Part-Number: 36822



Part: Door latch plate in oven wall/frame

Part-Number: 37937



Service manual Installation-Room B15

Version: 2.00

Ident: B15-EM-IS

Series: EM

Part-Number: 500376

This part can be ordered.



Chapter

500381 - Installation-Room B15 Cascade steaming - V:2.00

500380 - Installation-Room B15 Pipe steaming - V:2.00

Service manual Installation-Room B15 Cascade steaming

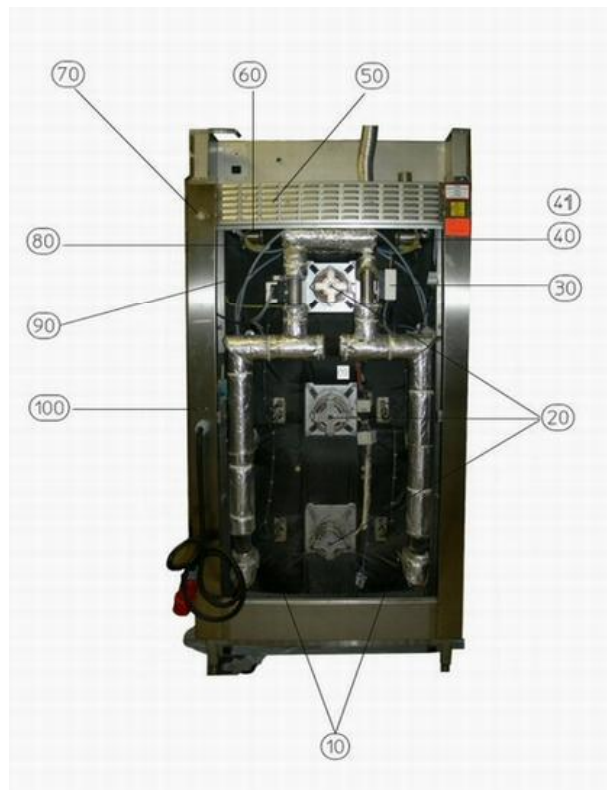
Version: 2.00

Ident: B15-EM-IS

Series: EM

Part-Number: 500381

This part can be ordered.



Chapter

- [010] - 36822 - Axial Blower
- [020] - 9020-110-002 - Fan motor
- [030] - 38816 - Fan reversing switch
- [040] - 31134 - Exhaust Tube B15
- [041] - 38532 - Sealing supply and exhaust air
- [050] - 36126 - Water flow detector flow meter FH20
- [060] - 100779 - Air Intake Pipe B15
- [070] - 34472 - Solenoid valve
- [080] - 34282 - Angle Fitting
- [090] - 40485 - Teflon hose
- [100] - 100627 - Safety limit switch (+340°C)

Part: Axial Blower

Part-Number: 36822



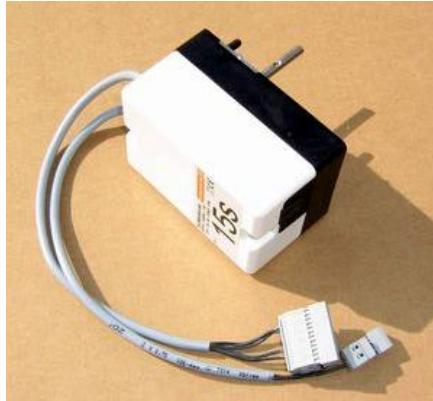
Part: Fan motor

Part-Number: 9020-110-002



Part: Fan reversing switch

Part-Number: 38816



Part: Exhaust Tube B15

Part-Number: 31134

Part: Sealing supply and exhaust air

Part-Number: 38532



Part: Water flow detector flow meter FH20

Part-Number: 36126



Part: Air Intake Pipe B15

Part-Number: 100779

Part: Solenoid valve

Part-Number: 34472



Part: Angle Fitting

Part-Number: 34282



Part: Teflon hose

Part-Number: 40485



Part: Safety limit switch (+340°C)

Part-Number: 100627



Service manual

Installation-Room B15 Pipe steaming

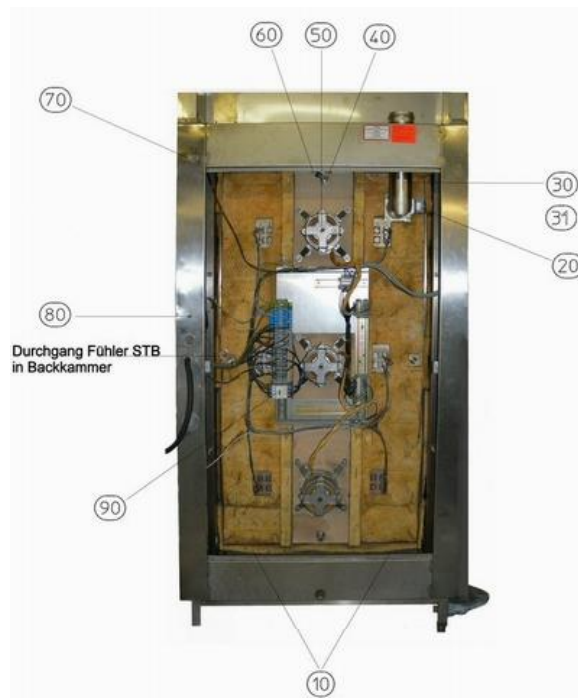
Version: 2.00

Ident: B15-EM-IS

Series: EM

Part-Number: 500380

This part can be ordered.



Chapter

- [010] - 36822 - Axial Blower
- [020] - 36304 - Fan reversing switch
- [030] - 31134 - Exhaust Tube B15
- [031] - 38532 - Sealing supply and exhaust air
- [040] - 34282 - Angle Fitting
- [050] - 9020-110-002 - Fan motor
- [060] - 40485 - Teflon hose
- [070] - 36126 - Water flow detector flow meter FH20
- [080] - 100627 - Safety limit switch (+340°C)
- [090] - 33126 - Relay main switch

Part: Axial Blower

Part-Number: 36822



Part: Fan reversing switch

Part-Number: 36304



Part: Exhaust Tube B15

Part-Number: 31134

Part: Sealing supply and exhaust air

Part-Number: 38532



Part: Angle Fitting

Part-Number: 34282



Part: Fan motor

Part-Number: 9020-110-002



Part: Teflon hose

Part-Number: 40485



Part: Water flow detector flow meter FH20

Part-Number: 36126



Part: Safety limit switch (+340°C)

Part-Number: 100627



Part: Relay main switch

Part-Number: 33126



Service manual Operating Panel B15 IS600

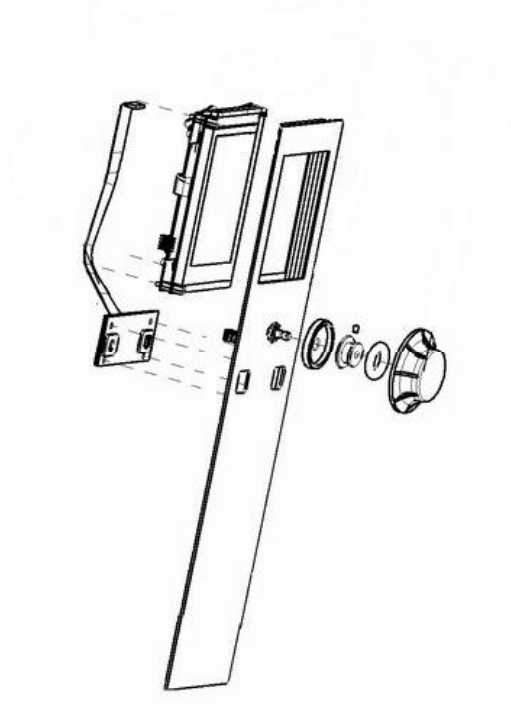
Version: 2.00

Ident: B15-EM-IS

Series: EM

Part-Number: 500379

This part can be ordered.



Chapter

104986 - Operating Panel external IS 600 - V:2.00

Service manual

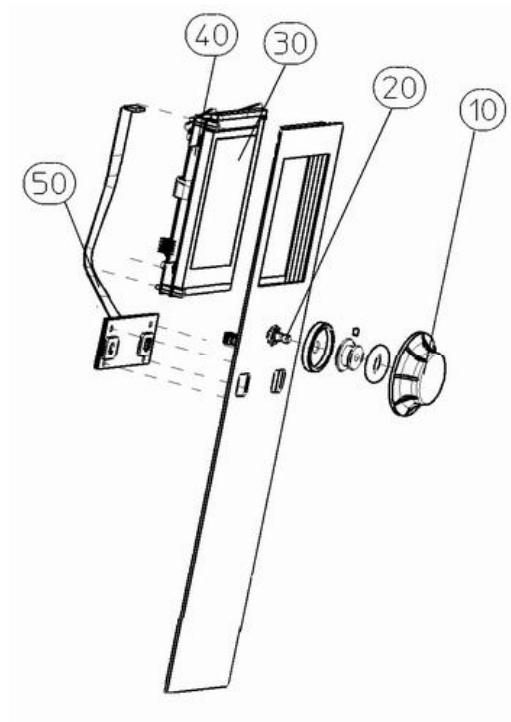
Operating Panel external IS 600

Version: 2.00

Ident: B15-EM-IS

Series: EM

Part-Number: 104986



Chapter

- [010] - 102685 - Knob grey
- [020] - 100591 - Incremental encoder
- [030] - 100617 - Display IS600 with circuit board
- [040] - 101107 - Electronic Circuit Board IS600
- [050] - 101563 - Key block
- [060] - 104354 - Ribbon cable for IS600
- [070] - 102806 - USB port with data wire

Part: Knob grey

Part-Number: 102685



Part: Incremental encoder

Part-Number: 100591



Part: Display IS600 with circuit board

Part-Number: 100617



Part: Electronic Circuit Board IS600

Part-Number: 101107



Part: Key block

Part-Number: 101563



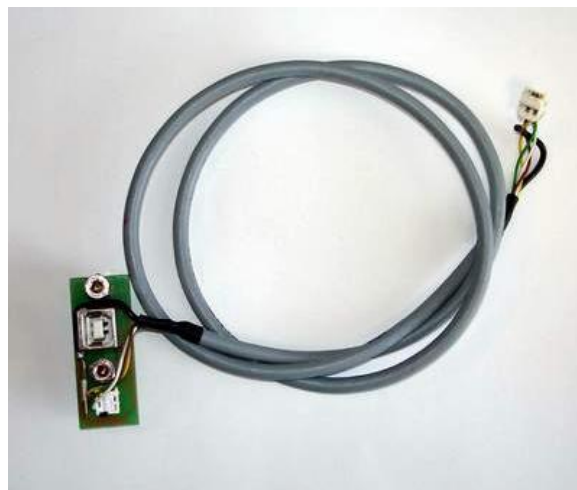
Part: Ribbon cable for IS600

Part-Number: 104354



Part: USB port with data wire

Part-Number: 102806



Service manual Rack Trolley B15

Version: 2.00

Ident: B15-EM-IS

Series: EM

Part-Number: 500373

This part can be ordered.



Chapter

105092 - Rack Trolley B15 with 13 trays - V:2.00

101623 - Rack Trolley B15 with 18 trays - V:2.00

Service manual Rack Trolley B15 with 13 trays

Version: 2.00
Ident: B15-EM-IS
Series: EM
Part-Number: 105092



Chapter

34690 - Castor without bracket
34691 - Castor with bracket

Part: Castor without bracket

Part-Number: 34690



Part: Castor with bracket

Part-Number: 34691



Service manual Rack Trolley B15 with 18 trays

Version: 2.00
Ident: B15-EM-IS
Series: EM
Part-Number: 101623



Chapter

34690 - Castor without bracket
34691 - Castor with bracket

Part: Castor without bracket

Part-Number: 34690



Part: Castor with bracket

Part-Number: 34691



Urheberrecht:

Das Urheberrecht an diesem Servicehandbuch verbleibt bei der WIESHEU GmbH. Dieses Servicehandbuch ist nur für autorisierte Servicepartner und dessen Personal bestimmt. Sie enthält Vorschriften und Hinweise, die weder vollständig noch teilweise vervielfältigt, verbreitet oder anderweitig mitgeteilt werden dürfen.

Alle Darstellungen, Zeichnungen, Bilder Texte und Angaben sind urheberrechtlich geschützt. Sie unterliegen den gewerblichen Schutzrechten.

Zu diesem Servicehandbuch:

Alle Abbildungen in diesem Dokument sollen die Verständlichkeit unterstützen. Die Abbildungen sind nicht maßstabsgerecht. Teilweise sind dem Originalprodukt ähnelnde Abbildungen dargestellt, die geringfügig abweichen können.

Achtung!

Vermeiden Sie Fehlfunktionen oder Beschädigungen durch falsche Ersatzteile. Wir empfehlen die ausschließliche Verwendung von WIESHEU-Original-Ersatzteilen.

Wiesheu GmbH
Daimlerstrasse 10
DE-71563 Affalterbach
Telefon: +49 (0)7144 / 3 03-0
Fax: +49 (0)7144 / 3 03-11
Service-Telefon: 0800-WIESHEU
E-Mail: info@wiesheu.de
www.wiesheu.de

Stand: 08.06.2010